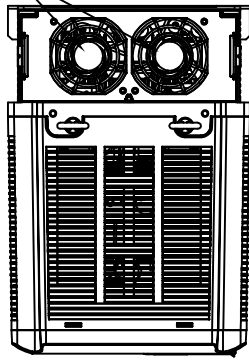
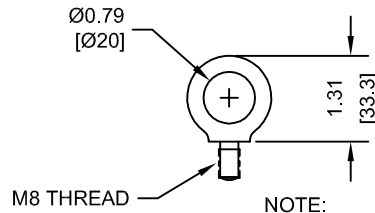


(2) EXTERNAL COOLING FANS

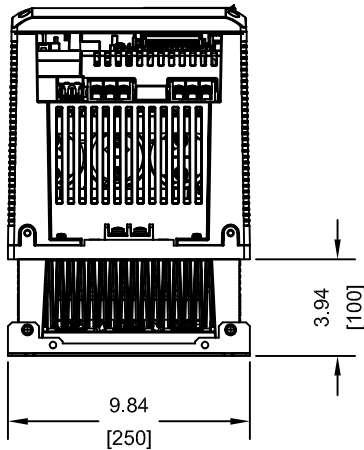
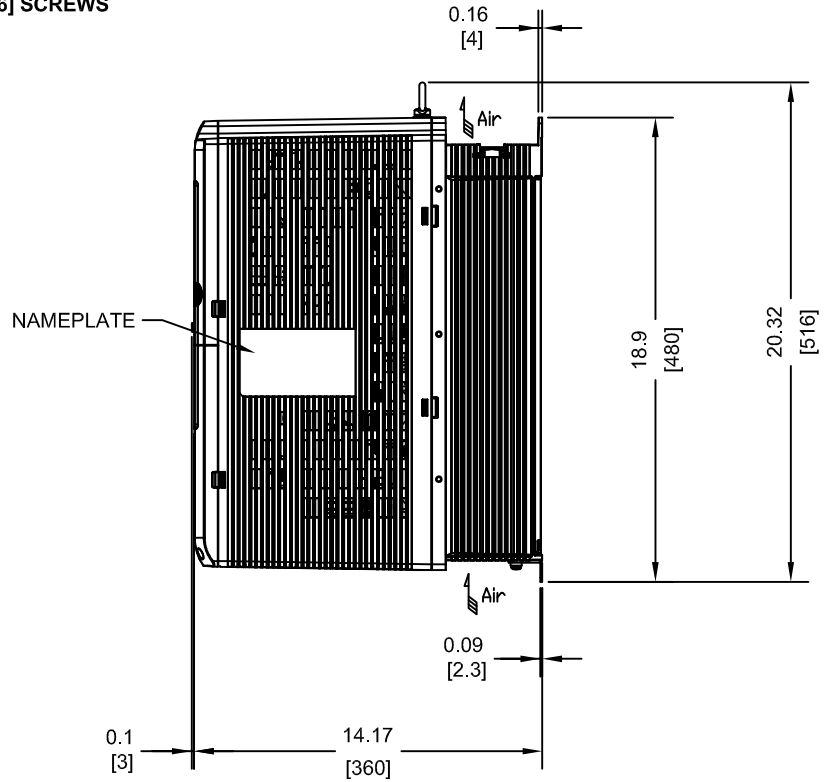
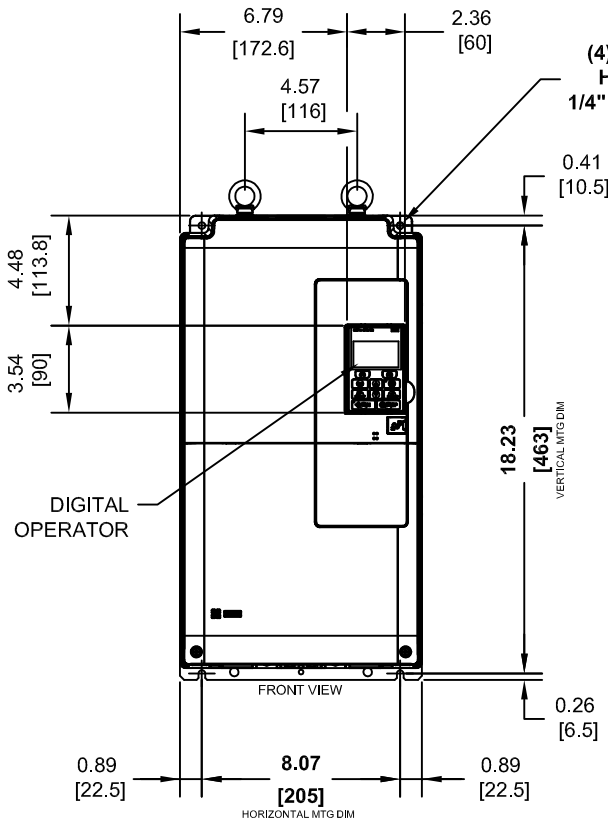


LIFTING AND EYEBOLT DETAILS



NOTE:
SPREADER BAR REQUIRED TO AVOID DAMAGE DURING LIFTING

(4)-MOUNTING HOLES FOR 1/4" [M6] SCREWS



MODEL # CIMR-ZU	VOLTAGE 3-PHASE (VAC)	OUTPUT CURRENT (A)	WEIGHT LBS (Kg)	WEIGHT WITHOUT EMC FILTER LBS (Kg)	HEAT LOSS (W) (Fc=4kHz)		
					INT	EXT	TOT
2Y0028AXX	200/240	28	46 (21)	44 (20)	103	659	762
4Y0011AXX	380/480*	11	46 (21)	44 (20)	80	452	532
4Y0014AXX		14	46 (21)	44 (20)	79	459	538
4Y0021AXX		21	46 (21)	44 (20)	105	641	746
4Y0027AXX		27	46 (21)	44 (20)	106	675	781
4Y0034AXX		34	46 (21)	44 (20)	124	798	922

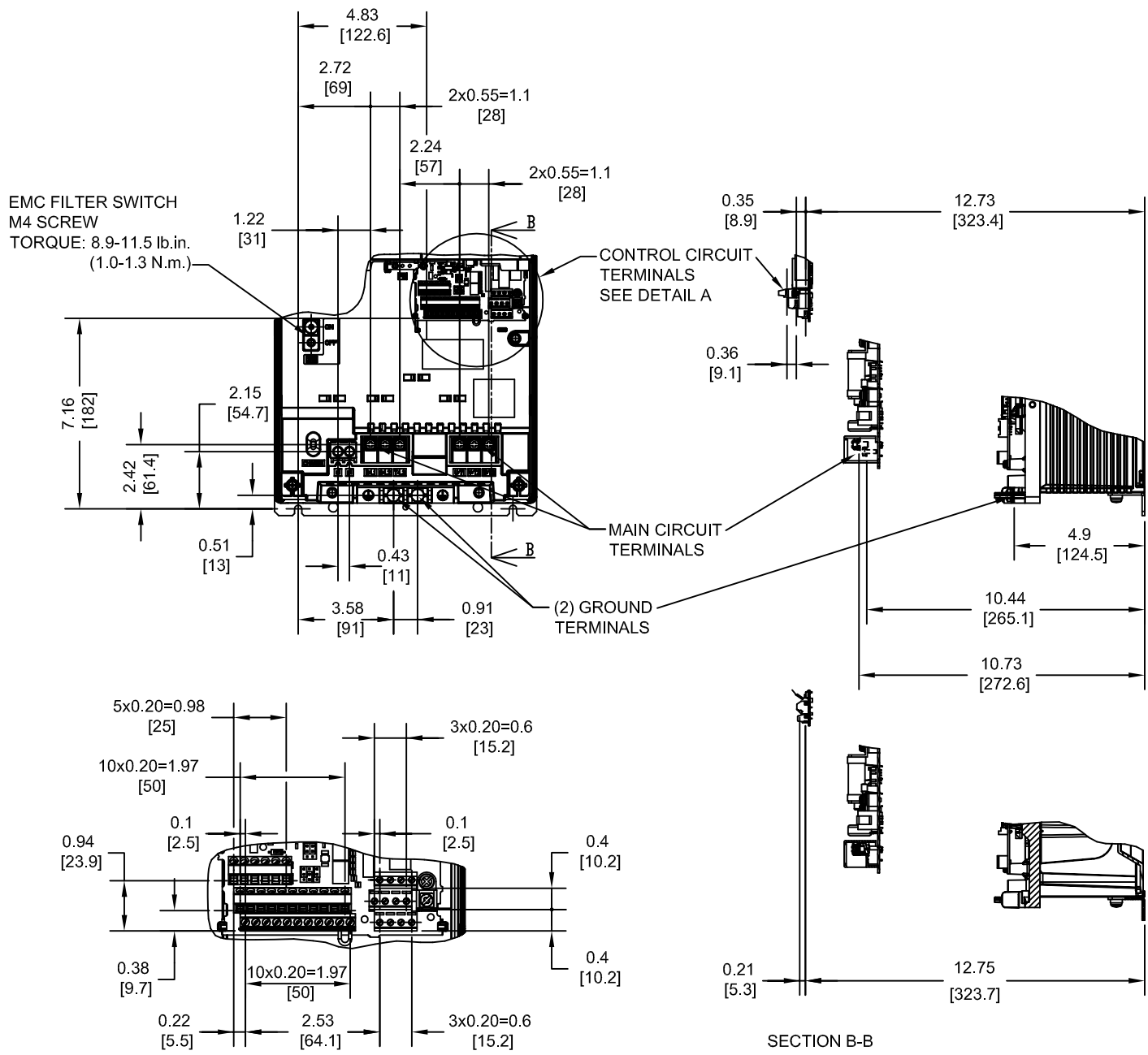
NOTES:
Y DENOTES A-Z
XX DENOTES AA-ZZ
* - FOR MODELS WITHOUT INTEGRAL EMC FILTER,
VOLTAGE RATING IS 380/500.

INT=INTERNAL COMPONENTS
EXT=EXTERNAL HEATSINK
TOT=TOTAL

FOR ADDITIONAL DETAILS AND SPECIFICATIONS, CONSULT MANUAL

TOLERANCES / REFERENCES:			DRAWN: J. MATTAS CHECKED: J. PIOTROWSKI TECH: J. BORJA APPROVED: J. CAIRO ORIGINAL DESIGN: -	DATE: 12-8-14 DATE: 12-16-14 DATE: 12-17-14 DATE: 2-10-15 DATE: -	TITLE: Z1000U DIMENSION DRAWING FRAME SIZE 1 IP00 ENCLOSURE 2A0028 AND 4A0011 - 4A0034
UNITS: IN[mm]	SCALE: 1:8		THIS DOCUMENT AND INFORMATION CONTAINED IN IT ARE CONFIDENTIAL, AND CANNOT BE COPIED OR DISCLOSED IN WHOLE OR IN PART WITHOUT THE EXPRESS WRITTEN CONSENT OF YASKAWA AMERICA, INC.	SIZE: A REVISION: R00 DRAWING #: DD.Z1KU.FR1.IP00	PAGE: 1 of 3

TERMINAL AND WIRING DETAILS (SCALE 1:6)



DETAIL A (SCALE 1:3)
CONTROL CIRCUIT TERMINALS

TERMINAL AND WIRE SPECIFICATIONS FOR
MAIN CIRCUIT AND GROUND

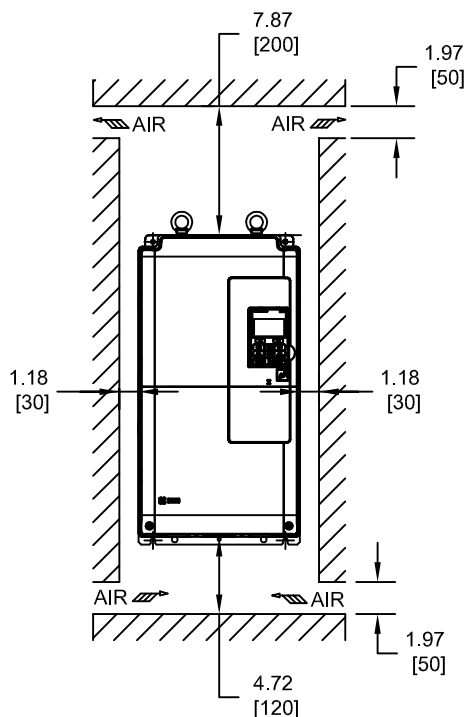
MODEL # CIMR-ZU	TERMINAL SYMBOL	TERMINAL SCREW	CLAMPING TORQUE lb.in.(N.m.)	WIRE RANGE AWG(mm ²)
2A0028	R/L1, S/L2, T/L3	M5	20.4 TO 23.9 (2.3 TO 2.7)	14 TO 8 (2.5 TO 10)
4A0011	U/T1, V/T2, W/T3			
4A0014	p1, n1	M4	8.9 TO 12.4 (1 TO 1.4)	14 TO 12 (2.5 TO 4)
4A0021				
4A0027	⊕	M6	34.7 TO 43.4 (3.9 TO 4.9)	10 TO 6 (6 TO 16)
4A0034				

NOTE: REFER TO APPLICABLE CODES FOR PROPER WIRE TYPE AND SIZE

FOR ADDITIONAL DETAILS AND SPECIFICATIONS, CONSULT MANUAL

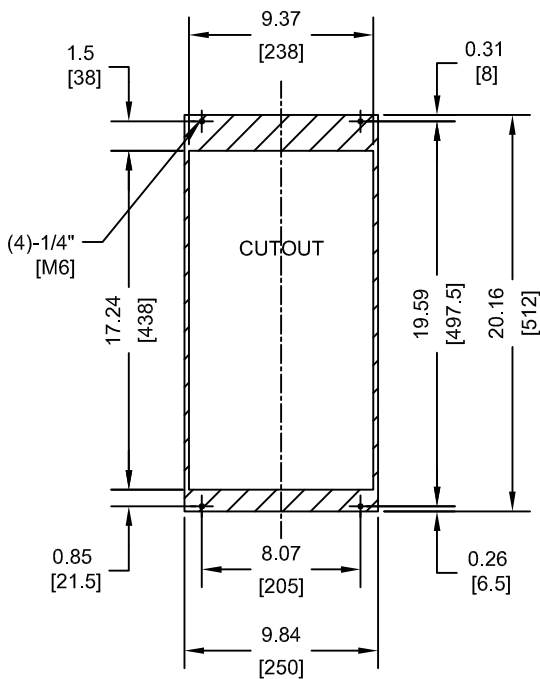
TOLERANCES / REFERENCES:			DRAWN: J. MATTAS CHECKED: J. PIOTROWSKI TECH: J. BORJA APPROVED: J. CAIRO ORIGINAL DESIGN: -	DATE: 12-8-14 DATE: 12-16-14 DATE: 12-17-14 DATE: 2-10-15 DATE: -	TITLE: Z1000U DIMENSION DRAWING FRAME SIZE 1 IP00 ENCLOSURE 2A0028 AND 4A0011 - 4A0034
UNITS: IN[mm]	SCALE: BY VIEW		THIS DOCUMENT AND INFORMATION CONTAINED IN IT ARE CONFIDENTIAL, AND CANNOT BE COPIED OR DISCLOSED IN WHOLE OR IN PART WITHOUT THE EXPRESS WRITTEN CONSENT OF YASKAWA AMERICA, INC.	SIZE: A REVISION: R00 PAGE: 2 of 3	DRAWING #: DD.Z1KU.FR1.IP00

MINIMUM INSTALLATION CLEARANCES (SCALE 1:12)




NOTE:
FOR SIDE-BY-SIDE MOUNTING
CONSULT MANUAL

PANEL CUTOUT FOR EXTERNAL HEATSINK
MOUNTING CONFIGURATION (SCALE 1:10)



NOTES:
1. EXTERNAL HEATSINK
CONFIGURATION REQUIRES
MOUNTING KIT
2. EXPOSED HEATSINK
RECOMMENDED CLEARANCE
D=4.72"

FOR ADDITIONAL DETAILS AND SPECIFICATIONS, CONSULT MANUAL

TOLERANCES / REFERENCES:		 THIS DOCUMENT AND INFORMATION CONTAINED IN IT ARE CONFIDENTIAL, AND CANNOT BE COPIED OR DISCLOSED IN WHOLE OR IN PART WITHOUT THE EXPRESS WRITTEN CONSENT OF YASKAWA AMERICA, INC.	DRAWN: J. MATTAS DATE: 12-8-14	TITLE: Z1000U DIMENSION DRAWING FRAME SIZE 1 IP00 ENCLOSURE 2A0028 AND 4A0011 - 4A0034	
UNITS: IN[mm]	SCALE: BY VIEW		CHECKED: J. PIOTROWSKI DATE: 12-16-14	DATE: 12-17-14	
		TECH: J. BORJA DATE: 2-10-15	SIZE: A	REVISION: R00	PAGE: 3 of 3
		APPROVED: J. CAIRO DATE: 2-10-15	DRAWING #: DD.Z1KU.FR1.IP00		